

**LINDNER**



**ZETA STAR 75  
MOBILE STAR SCREENING TECHNOLOGY**

**INCREDIBLY  
VERSATILE.**

ONLY LINDNER CLIENTS CAN TRULY SAY:

# SEPARATES THE WHEAT FROM THE CHAFF.

## A WINNING COMBINATION - TURN WASTE WOOD INTO A NEW ENERGY SOURCE:

The perfect combination of tried-and-trusted shredder and highly flexible screening technology makes this compact combo of Urraco 75 and Zeta Star 75 a turnkey system to be reckoned with. Ideal processing of waste wood for combustion Lindner style: robust, highly efficient and focused on the ideal output size.



### 1. HIGH-END STAR SCREENING TECHNOLOGY

**Ultimate productivity in a compact format** ensured by a 5.6 m<sup>2</sup> screening area.

**Precise output** – customise the star speed at the touch of a button.

**Minimum downtime** thanks to our wear-and-tear-resistant screening stars made of elastic high-performance plastics.



### 2. SMART SCREEN DECK CONFIGURATIONS

**Quickly adapts to different waste wood qualities** thanks to the adjustable screen deck angle.

**Minimum maintenance** with our inclined, self-cleaning screening area.

**Quick conversion for different particle sizes** made possible with a screen deck change in just 60 minutes.



### 3. WELL-ENGINEERED FEED AND DISCHARGE SYSTEMS

**Maximum flexibility** thanks to the fast single to dual-fraction operation change via the rotatable return conveyor with a swivel range of 90°.

**Consistently high throughput** with our feed hopper with dosing function.

**Low dust emissions** due to hydraulically adjustable discharge conveyor height – even during operation.



### 4. EASY-TO-USE CONTROLS

**Simple operation and parameter-setting** via the intuitive touchscreen user interface.

**Convenient shredder and screen operation from the wheel loader** with our customisable remote control.

**Easy manoeuvring of tracked machines** thanks to the joystick remote control.



### 5. SOPHISTICATED COMBO

**Maximum throughput and perfect output** guaranteed with our impeccably compatible system components.

**Active dust control** thanks to the optional water sprinkling system on shredder and screen.

**Minimum effort** ensured by the automatic and safe refeeding of oversized particles.



### 6. MADE-TO-MEASURE CHASSIS

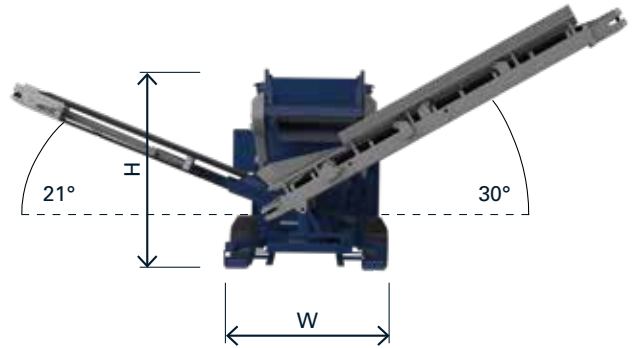
**Easy transport** and raising and lowering of the machine with standard hook-lift trucks (ZS75F2D).

**Hassle-free repositioning on the premises** with optional wheel axle and drawbar.

**Full mobility on-site** thanks to tracked chassis (ZS75F2DK).



# TECHNICAL DATA



		<b>ZETA STAR 75 F2 D</b>	<b>ZETA STAR 75 F2 DK</b>
Diesel drive power	kW	75	75
Exhaust gas standard		EU stage V / USTier 4f	EU stage V / USTier 4f
Chassis		hook lift	tracked

## HOPPER

Feeding height	mm	2890	2770
Dimensions	mm	1100 x 2250	1100 x 2250
Capacity	m <sup>3</sup>	3	3

## SCREEN DECK

Dimensions	mm	1200 x 4660	1200 x 4660
Area	m <sup>2</sup>	5.6	5.6
Final output	mm	0 – 100	0 – 100

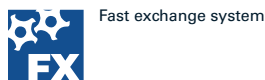
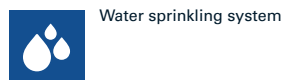
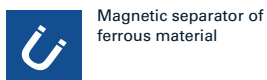
## CONVEYOR

Discharge height, oversized particles (30°)	mm	3715	3600
Discharge height, final output (21°)	mm	2610	2500

## DIMENSIONS

Weight	t	10.5	12.5
Dimensions (LxWxH)	mm	8300 x 2430 x 3040	8300 x 2420 x 2920
Transport dimensions	mm	7980 x 2490 x 2765	7980 x 2490 x 2765

The stated values refer to standard machine versions. The right to make technical changes is reserved.



## Lindner-Recyclingtech GmbH

Villacher Strasse 48 | 9800 Spittal/Drau | Austria  
 t.: +43 4762 2742 | f.: +43 4762 2742-9032 | office@lindner.com

[www.lindner.com](http://www.lindner.com)